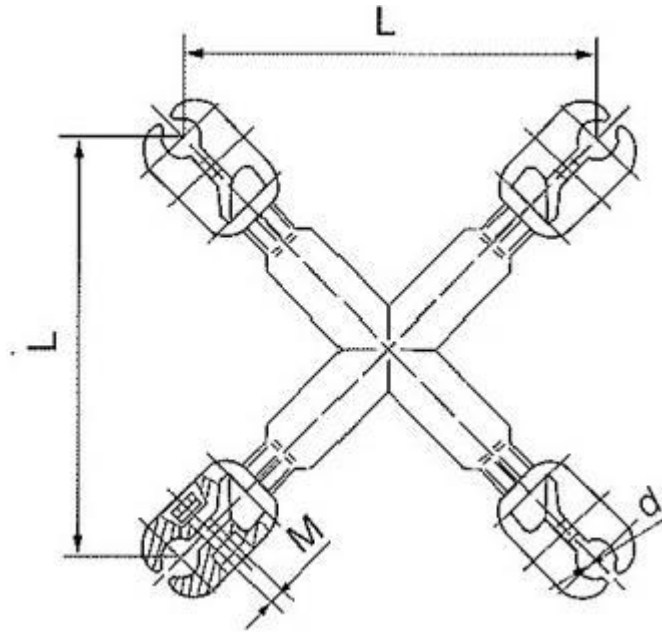


**Overview**

Spacer rod refers to a fitting installed on the split wires to fix the spacing between the split wires to prevent the wires from whipping each other and suppress the breeze vibration and secondary pitch vibration. Spacer bars are generally installed in the middle of the gear pitch, and installed at a distance of 50-60m[1]. Comparing the vibration amplitude of the two-split, four-split, six-split, and eight-split conductors with the split conductors, the vibration amplitude of the split conductors is reduced by 50% after the spacer rods are installed, and the four-split conductors are reduced by 87% and 90%.

**Jumper Spacers for Quad-bundle Conductor**

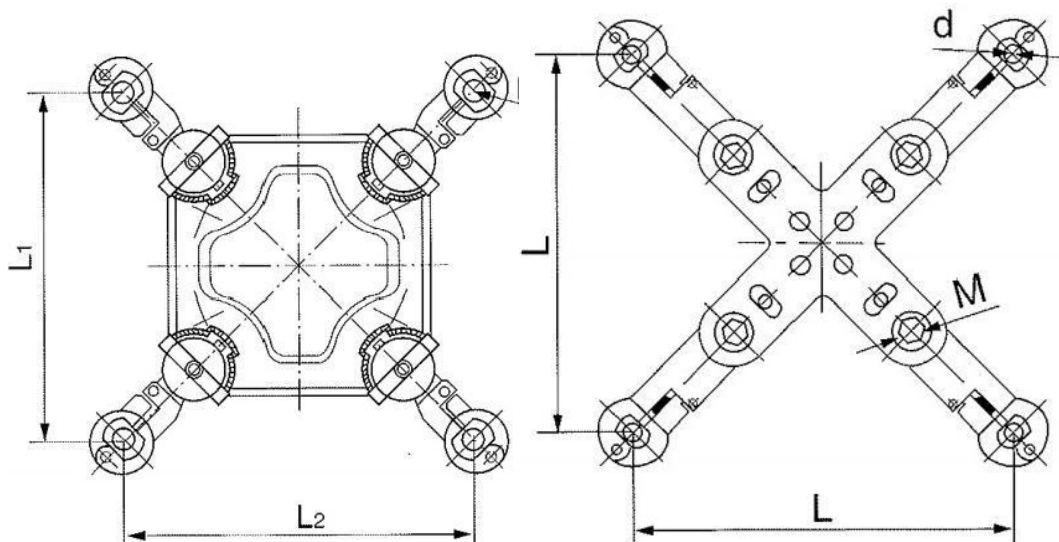
The clamps are aluminum alloy, Dampens are elastomer, The other parts are hot-dip galvanized steel.



Catalog No.	Suitable Conductor Dia(mm)	Dimensions (mm)			Weight (Kg)
		L	M	d	
FJY4-20	23-26	200	12	27	2.7
FJY4-25	23-26	450	12	27	3.1
FJY4-50	LGJ-720/50	500	16	36.23	5

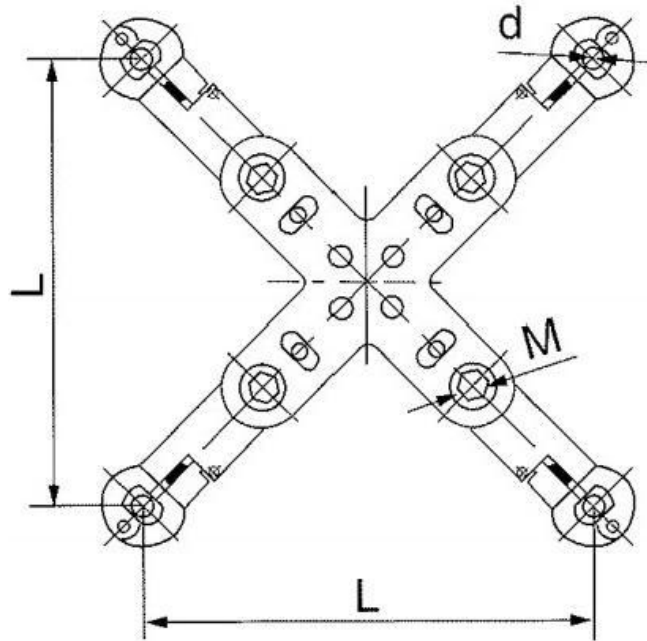
**Square Frame Type Spacer-dampers**

Performed armor rods, clamps, and brackets are made of aluminum alloy. Dampers are elastomer. The other parts are hot-dip galvanized steel.



Catalog No.	Suitable Conductor	Dimensions (mm)			Weight (Kg)
		Li	L2	R	
FJZ-445F/300	LGJ-300/20、25、40、50	450	450	9.7	8.4
FJZ-445F/300A	LGJ-300/70	450	450	10.6	8.4
FJZ-445F/400	LGJ-400/50、65	450	450	12	8.4
FJZ-445F/400A	LGJ-400/20、25、35	450	450	11.4	8.4
FJZ-445F/400B	LGJ-400/95	450	450	12.6	8.4

**Cross-Type Spacer-dampers**



The clamps are aluminum alloy. Daanpeys are clastomer. The other parts are hot-dip galvanized steel.

Catalog No	Suitable Conductor	Dimensions (mm)			Weight (Kg)
		d	M	L	
FJZ-300	L.GJQ-300	20	12	450	8.7
FJZ-400	LGJQ-400	24	12	450	8.7
FJZL-630	LGJ-630	29	12	500	10.35
FJZ-450/720	LGJ-720	32	12	500	10.32

The clamps are aluminum alloy. Dampers are elastomer. The other parts are hot-dip galvanized steel.

Catalog No	Suitable Conductor	Dimensions (mm)			Weight (Kg)
		d	M	L	
FJZL-300	LGJ-300/40	20	12	450	8.5
	LGJQ-300				
FJZL-400	LGJQ-400	23.5			
IZL-300A	LGJ-300	21.5			
	LGJJ-300				
FJZ-400A	LGJ-400/20、25、35	25.5			